



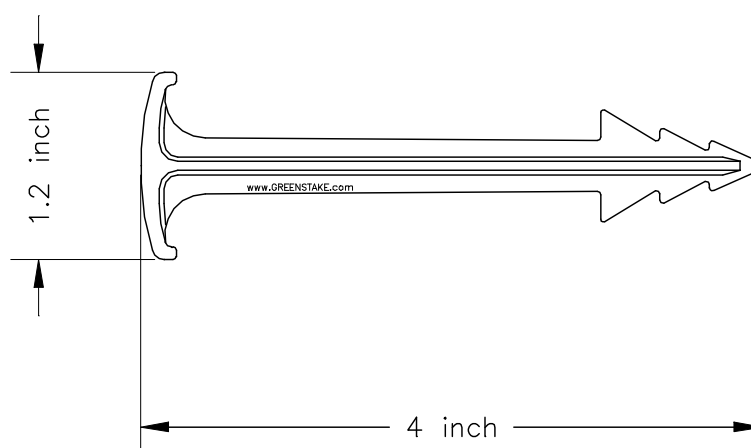
## Specification Sheet

# Factor G 100% Biodegradable GreenStakes®

Factor G 100% Biodegradable GreenStake® is a "T" shaped stake used to anchor rolled erosion control products, sod, netting, mulch mats, geotextiles, and weed control fabric in the following sectors: Landscape, Erosion Control, Sports-grounds and Turf Installation. The GreenStake™ does not need to be removed from the ground after use as it completely biodegrades over time. The GreenStake™ has barbs along its body to give it greater holding force and to prevent it from being pushed out of the ground during ground-freezing conditions. The GreenStake™ has a 1.2-inch hooked head to hold fabric, netting or turf securely in place and is designed to have 45% more anchoring force than the 6" metal staple.

GreenStakes® maintain their holding power up to 24 months, after which they will completely biodegrade into carbon dioxide, water, and humus. Biodegradation occurs due to natural microbial activity in the environment, leaving no residuals in the ground.

The GreenStakes® complies with ASTM D6400 Biodegradation Standard and breaks down through natural microbial activity.



More information available upon request.